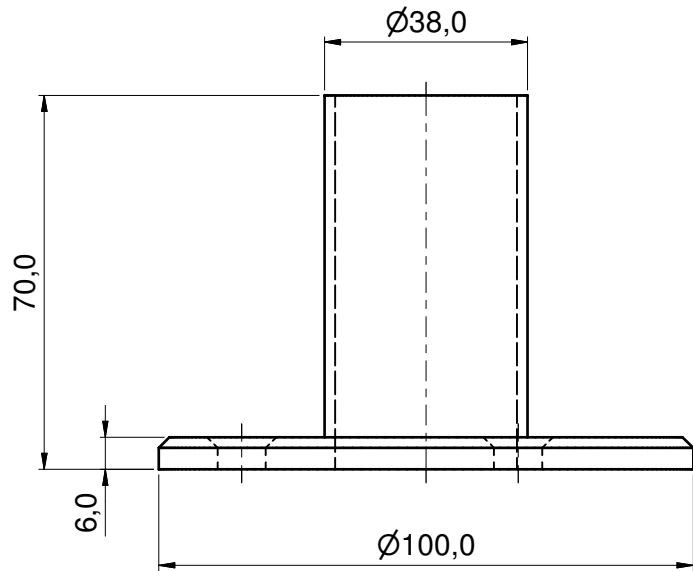
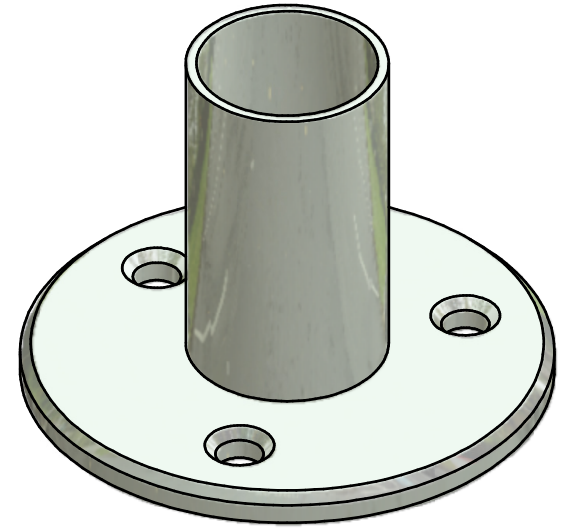



3 HOLES TO SUIT M8
COUNTERSUNK SCREWS



AVAILABLE IN STAINLESS STEEL
GRADES 304 AND 316

Designed by AH	Checked by DPM	Approved by SRM	Date 21/02/2008	Scale 1:1	Date 21/02/2008	Sheet Size A3
 SMUK SOLUTIONS LTD DICKENS STREET, BLACKBURN LANCs, BB1 1RN Tel: 01254 677995 Fax: 01254 264725 Email: sales@smuksolutions.com			FLOOR BASE		Revision A	Sheet 1 / 1
			FB-D42			